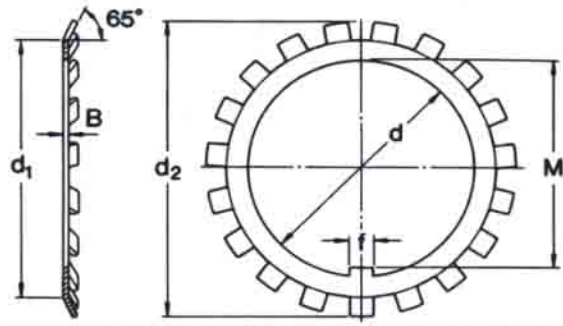


Locking Washers



Dimensions						Designation
d	d ₁	d ₂	B	f	M	
mm						
10	13.5	21	1	3	8.5	MB 0
12	17	25	1	3	10.5	MB 1
15	21	28	1	4	13.5	MB 2
17	24	32	1	4	15.5	MB 3
20	26	36	1	4	18.5	MB 4
25	32	42	1.25	5	23	MB 5
30	38	49	1.25	5	27.5	MB 6
35	44	57	1.25	6	32.5	MB 7
40	50	62	1.25	6	37.5	MB 8
45	56	69	1.25	6	42.5	MB 9
50	61	74	1.25	6	47.5	MB 10
55	67	81	1.25	8	52.5	MB 11
60	73	86	1.5	8	57.5	MB 12
65	79	92	1.5	8	62.5	MB 13
70	85	98	1.5	8	66.5	MB 14
75	90	104	1.5	8	71.5	MB 15
80	95	112	1.75	10	76.5	MB 16
85	102	119	1.75	10	81.5	MB 17
90	108	126	1.75	10	86.5	MB 18
95	113	133	1.75	10	91.5	MB 19
100	120	142	1.75	12	96.5	MB 20
105	126	145	1.75	12	100.5	MB 21
110	133	154	1.75	12	105.5	MB 22
115	137	159	2	12	110.5	MB 23
120	138	164	2	14	115	MB 24
125	148	170	2	14	120	MB 25
130	149	175	2	14	125	MB 26
135	160	185	2	14	130	MB 27
140	160	192	2	16	135	MB 28
145	172	202	2	16	140	MB 29
150	171	205	2	16	145	MB 30
155	182	212	2.5	16	147.5	MB 31
160	182	217	2.5	18	154	MB 32
165	193	222	2.5	18	157.5	MB 33
170	193	232	2.5	18	164	MB 34
180	203	242	2.5	20	174	MB 36
190	214	252	2.5	20	184	MB 38
200	226	262	2.5	20	194	MB 40
220	250	292	3	24	213	MB 44
240	270	312	3	24	233	MB 48
260	300	342	3	28	253	MB 52
280	320	362	3	28	273	MB 56
120	135	148	2	14	115	MBL 24
130	145	158	2	14	125	MBL 26
140	155	170	2	16	132.5	MBL 28
150	170	186	2	16	142.5	MBL 30
160	180	197	2.5	18	152.5	MBL 32
170	190	209	2.5	18	162.5	MBL 34
180	200	215	2.5	20	172.5	MBL 36
190	210	228	2.5	20	182.5	MBL 38
200	222	248	2.5	20	192.5	MBL 40

Higher series locknut and locking washer manufactured on specific customer request.