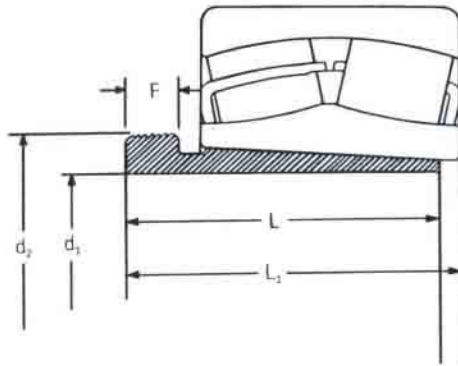


**Bearing Withdraw Sleeves
Without Locknut & Washer**

Size No.	Sleeve No.	Dimensions					Thread	Withdrawal Nut	Bearing Designation
		d ₁	d ₂	L	L ₁	F			
08	AH 308	35	45	29	32	6	M 45 X 1.5	KM 9	22208 CCK, 21308 CCK
	AH 2308	35	45	40	43	7	M 45 X 1.5	KM 9	2308 K, 22308 CCK
09	AH 309	40	50	31	34	6	M 50 X 1.5	KM 10	22209 CCK, 21309 CCK
	AH 2309	40	50	44	47	7	M 50 X 1.5	KM 10	2309 K, 22309 CCK
10	AHX 310	45	55	35	38	7	M 55 X 2	KM 11	2210 K, 1310 K 22210 CCK, 21310 CCK
	AHX 2310	45	55	50	53	9	M 55 X 2	KM 11	2310 K, 22310 CCK
11	AHX 311	50	60	37	40	7	M 60 X 2	KM 12	2211 K, 1311 K 22211 CCK, 21311 CCK
	AHX 2311	50	60	54	57	10	M 60 X 2	KM 12	2311 K, 22311 CCK
12	AHX 312	55	65	40	43	8	M 65 X 2	KM 13	2212 K, 1312 K 22212 CCK, 21312 CCK
	AHX 2312	55	65	58	61	11	M 65 X 2	KM 13	2312 K, 22312 CCK
13	AH 313	60	75	42	45	8	M 75 X 2	KM 15	2213 K, 1313 K 22213 CCK, 21313 CCK
	AH 2313	60	75	61	64	12	M 75 X 2	KM 15	2313 K, 22313 CCK
14	AH 314	65	80	43	47	8	M 80 X 2	KM 16	2214 K, 1314 K 22214 CCK, 21314 CCK
	AHX 2314	65	80	64	68	12	M 80 X 2	KM 16	2314 K, 22314 CCK
15	AH 315	70	85	45	49	8	M 85 X 2	KM 17	2215 K, 1315 K 22215 CCK, 21315 CCK
	AHX 2315	70	85	68	72	12	M 85 X 2	KM 17	2315 K, 22315 CCK
16	AH 316	75	90	48	52	8	M 90 X 2	KM 18	2216 K, 1316 K 22216 CCK, 21316 CCK
	AHX 2316	75	90	71	75	12	M 90 X 2	KM 18	2316 K, 22316 CCK
17	AHX 317	80	95	52	56	9	M 95 X 2	KM 19	2217 K, 1317 K 22217 CCK, 21317 CCK
	AHX 2317	80	95	74	78	13	M 95 X 2	KM 19	2317 K, 22317 CCK
18	AHX 318	85	100	53	57	9	M 100 X 2	KM 20	2218 K, 1318 K 22218 CCK, 21318 CCK
	AHX 2318	85	100	79	83	14	M 100 X 2	KM 20	2318 K, 22318 CCK
19	AHX 319	90	105	57	61	10	M 105 X 2	KM 21	2219 K, 1319 K 22219 CCK, 21319 CCK
	AHX 2319	90	105	85	89	16	M 105 X 2	KM 21	2319 K, 22319 CCK
20	AHX 320	95	110	59	63	10	M 110 X 2	KM 22	2220 K, 1320 K 22220 CCK, 21320 CCK
	AHX 2320	95	110	73	77	11	M 110 X 2	KM 22	2320 K, 22320 CCK
	AHX 3120	95	110	64	68	11	M 110 X 2	KM 22	23120 CCK
	AHX 3220	95	110	73	77	11	M 110 X 2	KM 22	23220 CCK
	AHX 2320	95	110	90	94	16	M 110 X 2	KM 22	2320 K, 22320 CCK



Bearing Withdrawl Sleeves
Without Locknut & Washer

Size No.	Sleeve No.	Dimensions					Thread	Withdrawl Nut	Bearing Designation
		d ₁	d ₂	L	L ₁	F			
22	AHX 322	105	120	63	67	12	M 120 X 2	KM 24	1322 K, 21322 CCK
	AHX 3122	105	120	68	72	11	M 120 X 2	KM 24	2222 K, 23122 CCK 22222 CCK
	AHX 3222	105	125	82	86	11	M 125 X 2	KM 25	23222 CCK
	AHX 2322	105	125	98	102	16	M 125 X 2	KM 25	2322 K, 22322 CCK
24	AH 24122	105	115	82	91	13	M 115 X 2	KM 23	24122 CCK
	AHX 3024	115	130	60	64	13	M 130 X 2	KM 26	23024 CCK
	AHX 3124	115	130	75	79	12	M 130 X 2	KM 26	23124 CCK, 22224 CCK
	AHX 3224	115	135	90	94	13	M 135 X 2	KM 27	23224 CCK
	AH 2324	110	140	105	109	17	M 140 X 2	KM 28	23224 CCK
	AHX 2324	115	135	105	109	17	M 135 X 2	KM 27	22324 CCK
	AH 24024	115	125	73	82	13	M 125 X 2	KM 25	24024 CCK
26	AH 24124	115	130	93	102	13	M 130 X 2	KM 26	24124 CCK
	AHX 3026	125	140	67	71	14	M 140 X 2	KM 28	23026 CCK
	AHX 3126	125	140	78	82	12	M 140 X 2	KM 28	23126 CCK, 22226 CCK
	AH 3226	120	150	98	102	15	M 150 X 2	KM 30	23226 CCK
	AHX 3226	125	145	98	102	15	M 145 X 2	KM 29	23226 CCK
	AH 2326	120	150	115	119	19	M 150 X 2	KM 30	22326 CCK
	AHX 2326	125	145	115	119	19	M 145 X 2	KM 29	22326 CCK
	AH 24026	125	135	83	93	14	M 135 X 2	KM 27	24026 CCK
	AH 24126	125	140	94	104	14	M 140 X 2	KM 28	24126 CCK
	28	AHX 3028	135	150	68	73	14	M 150 X 2	KM 30
AHX 3128		135	150	83	88	14	M 150 X 2	KM 30	23128 CCK, 22228 CCK
AHX 3228		135	155	104	109	15	M 155 X 3	KM 31	23228 CCK
AHX 2328		135	155	125	130	20	M 155 X 3	KM 31	22328 CCK
AH 24028		135	145	83	93	14	M 145 X 2	KM 29	24028 CCK
AH 24128		135	150	99	109	14	M 150 X 2	KM 30	24128 CCK
30	AHX 3030	145	160	72	77	15	M 160 X 3	KM 32	23030 CCK
	AHX 3130	145	165	96	101	15	M 165 X 3	KM 33	23130 CCK, 22230 CCK
	AHX 3230	145	165	114	119	17	M 165 X 3	KM 33	23230 CCK
	AH 2330	140	170	135	140	24	M 170 X 3	KM 34	23330 CCK
	AHX 2330	145	165	135	140	24	M 165 X 3	KM 33	22330 CCK
	AH 24030	145	155	90	101	15	M 155 X 3	KM 31	24030 CCK
	AH 24130	145	160	115	126	15	M 160 X 3	KM 32	24130 CCK
	AH 2332	150	170	140	146	24	M 170 X 3	KM 34	22332CCK
	AH 2334	160	190	146	152	24	M 190 X 3	KM 38	22334CCK
	AH 2336	170	200	154	160	26	M 200 X 3	KM 40	22336CCK